

2" Valve and Safety Burst Disc Rebuild Kit

Effective: April 2023
K-85-0503 Rev AC

FEATURES

- For Approvals, see the "COMPATIBILITY" table.
- REACH and RoHS compliant.

P/N 85-150200-000

ORDER INFORMATION

Use the 2" Valve and Safety Burst Disc Rebuild Kit, P/N: 85-150200-000 to rebuild 2" valves. All 2" Valves must be serviced after a discharge, including replacing the safety burst disc. This rebuild kit includes the Safety Disc Assembly for valves manufactured after April 2014, and parts to replace the safety burst disc on valves manufactured before May 2014.

Table 1: 2" Valve and Safety Burst Disc Rebuild Kit Contents

Description	Part Number
<p>2" Valve and Safety Burst Disc Rebuild Kit includes:</p> <ul style="list-style-type: none"> • O-ring, Neck • O-ring, Cap • Assembly, Safety Disc (for use on valves manufactured after April 2014) which includes: <ul style="list-style-type: none"> Note:This is a complete assembly. – Retainer, Safety Disc – Disc, Safety – Washer, Safety Disc – Holder, Safety Disc Assembly – O-ring, Packing • Assembly, Piston, which includes: <ul style="list-style-type: none"> – Piston – O-ring, Piston – O-ring, Teflon Back-up – O-ring, Seat • Installation Tools which includes: <ul style="list-style-type: none"> – Cap O-Ring Installation tool – Piston Insertion Tool – Cylinder Neck O-ring Installation Tool • Safety Disc Bag (for use on valves manufactured before May 2014) which includes: <ul style="list-style-type: none"> Note:This is a bag of components. – Retainer, Safety Disc – Disc, Safety – Washer, Safety Disc 	<p>85-150200-000</p>

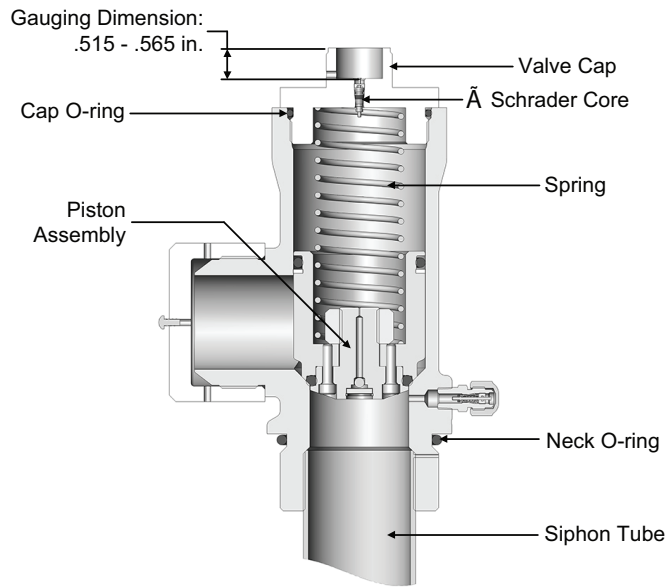


Figure 1. 2-inch Valve Assembly

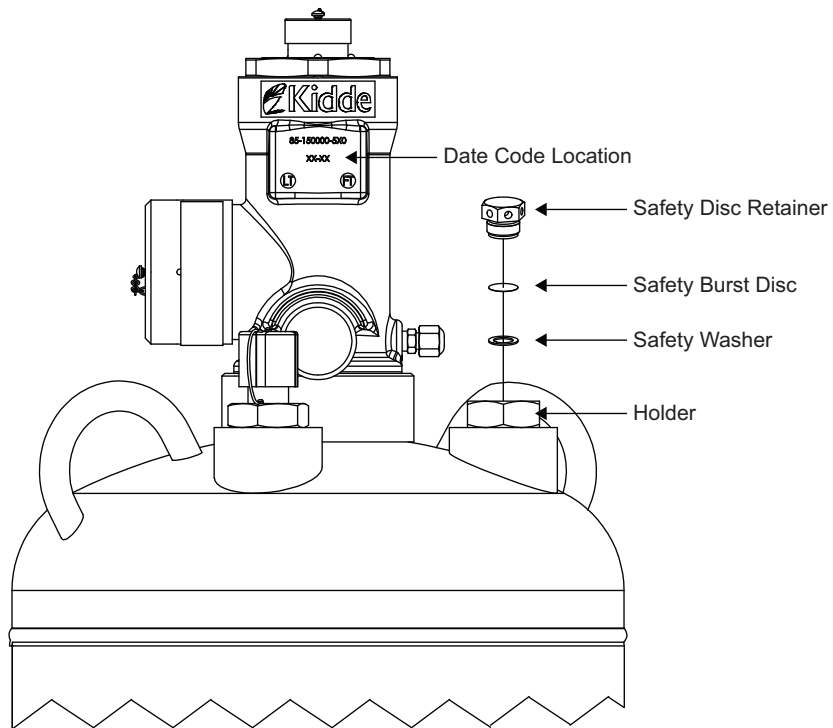


Figure 2. Installation of Safety Burst Disc on 2-inch Cylinder/Valve Assembly Manufactured after April 2014

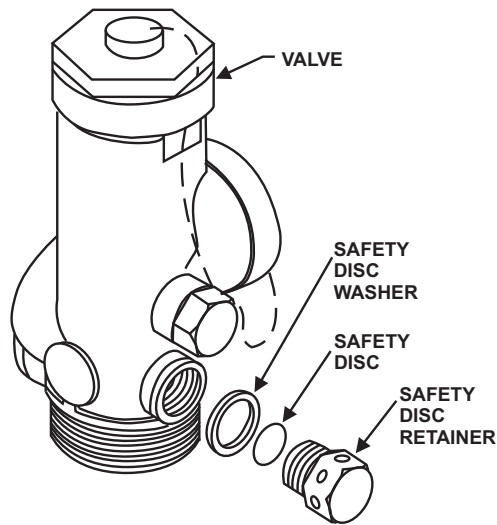


Figure 3. Installation of Safety Burst Disc on 2-inch Valve Manufactured before May 2014

COMPATIBILITY

Series	DIOM P/N	Approvals
Kidde Fire Systems ECS-500™ System	06-237585-001	UL, ULC, FM
Kidde Fire Systems ECS-500™ Marine System	06-237589-001	UL, ULC, USCG
Kidde Fire Systems ADS™ for use with Fluoroketone Fire Suppression Agents	06-237256-001	UL, ULC, FM
Kidde Fire Systems ADS™ Marine for use with Fluoroketone Fire Suppression Agents	06-237257-001	UL, ULC, USCG
Kidde Fire Systems ADS™ with HFC-227ea Agent	06-236068-001	UL, ULC, FM
Kidde Fire Systems ADS™ Marine with HFC-227ea Agent	06-236595-001	UL, ULC, USCG
Kidde Fire Systems ECS™ 360 for use with Fluoroketone Fire Suppression Agents	06-236553-001	UL, ULC, FM
Kidde Fire Systems ECS™ 360 Marine for use with Fluoroketone Fire Suppression Agents	06-236559-001	UL, ULC, USCG
Kidde Fire Systems ECS™ 360 with HFC-227ea Agent	06-236115-001	UL, ULC, FM
Kidde Fire Systems Modular ECS™ 360 with HFC-227ea Agent	06-236116-001	UL, ULC, FM
Kidde Fire Systems ECS™ 360 Marine with HFC-227ea Agent	06-236225-001	UL, USCG

EXPORT INFORMATION (USA)

Jurisdiction: EAR

Classification: EAR99

This document contains technical data subject to the EAR.

All trademarks are the property of their respective owners.

This literature is provided for informational purposes only. KIDDE-FENWAL, INC. believes this data to be accurate, but it is published and presented without any guarantee or warranty whatsoever. KIDDE-FENWAL, INC. assumes no responsibility for the product's suitability for a particular application. The fire suppression system design, installation, maintenance, service and troubleshooting must be performed by trained, authorized Kidde Fire Systems distributors for the product to work correctly. If you need more information on this product, or if you have a particular problem or question, contact: KIDDE-FENWAL, INC., Ashland, MA 01721 USA, Telephone: (508) 881-2000.